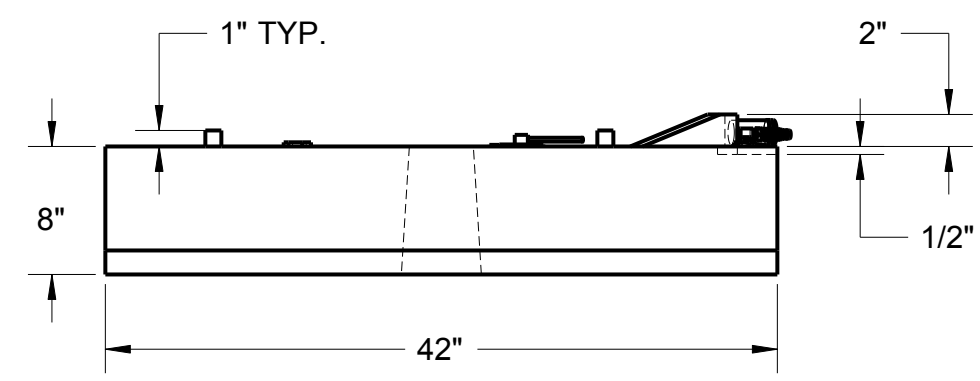
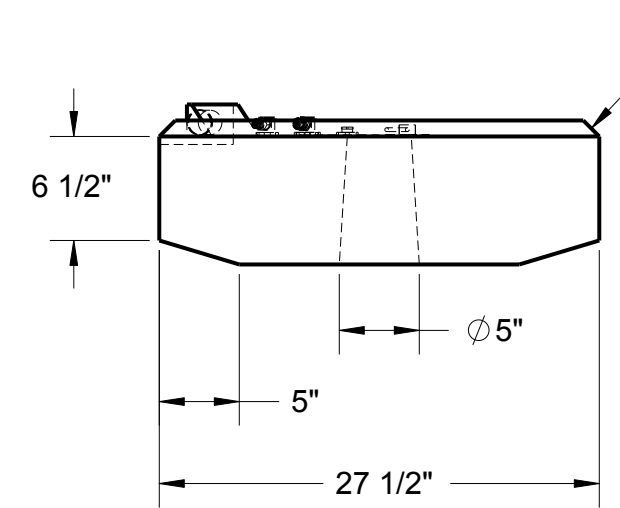
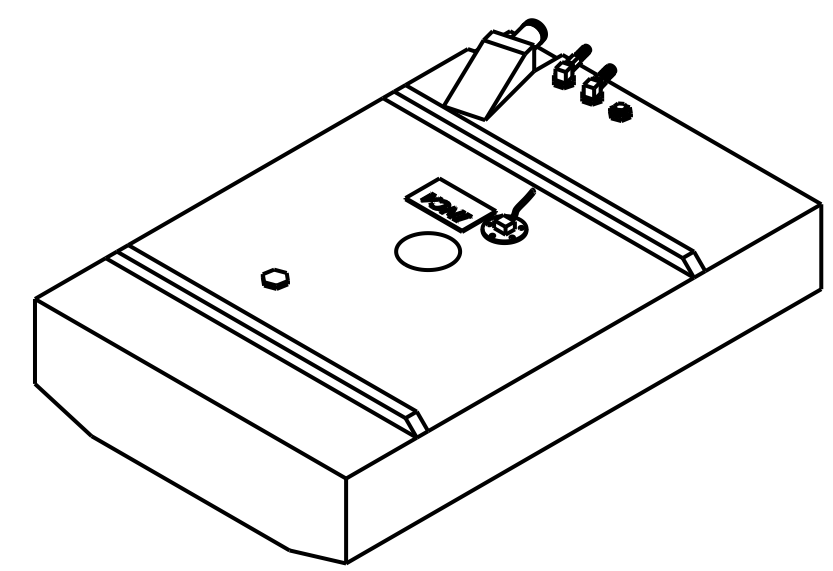
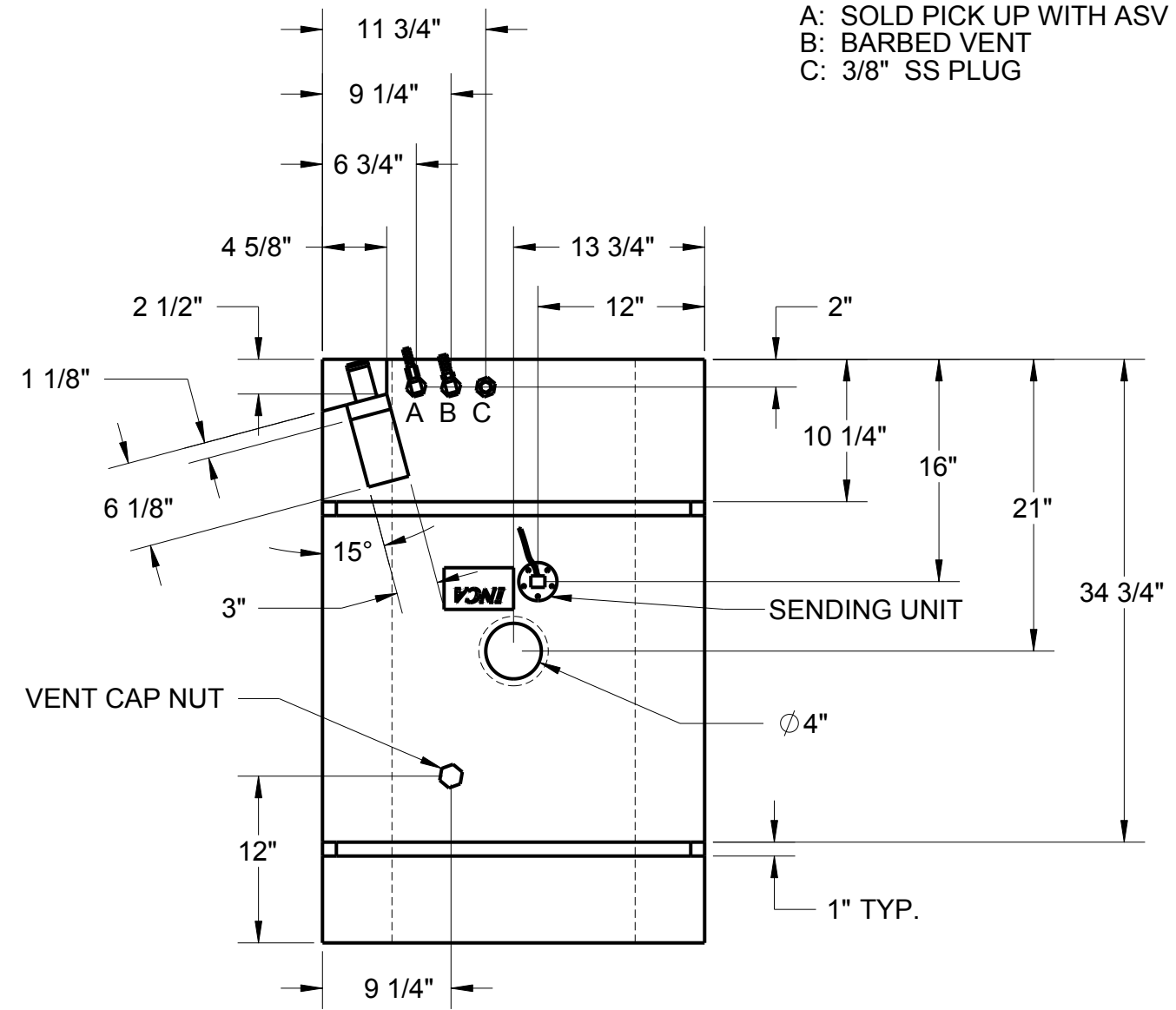


REVISIONS
DESCRIPTION

REV. BY:

REV. DATE

A: SOLD PICK UP WITH ASV
B: BARBED VENT
C: 3/8" SS PLUG



MAT'L: Polyethylene, Crosslink, Natural
WALL THICKNESS: .21 in. (nominal)

NOTE: PLASTIC FUEL TANKS MUST HAVE SPACE IN TANK COMPARTMENT TO EXPAND 2% FREELY IN ALL DIRECTIONS (LENGTH, WIDTH AND HEIGHT).

UNLESS NOTED OTHERWISE:
1) All dimensions in inches
2) All radii to be 3/8"

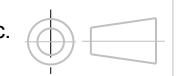
INCA
MOLDED PRODUCTS, INC.

INCA MOLDED PRODUCTS, INC.
6400 LOUISIANA AVENUE
NASHVILLE, TN 37209 USA
(615) 350-7290

FUEL TANK, 34 GAL.

SHEET	1 of 1
REV. DATE:	
CHECKED BY:	
DRAWN BY:	5/31/06 BR

Copyright by Inca Molded Products, Inc.
Nashville, TN 37209 USA



SCALE:

REVISION:
A

FO3432IV