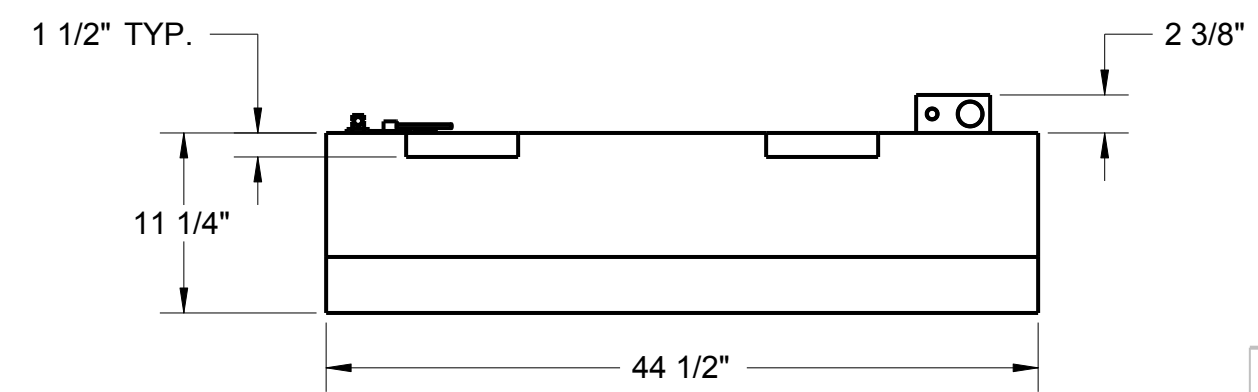
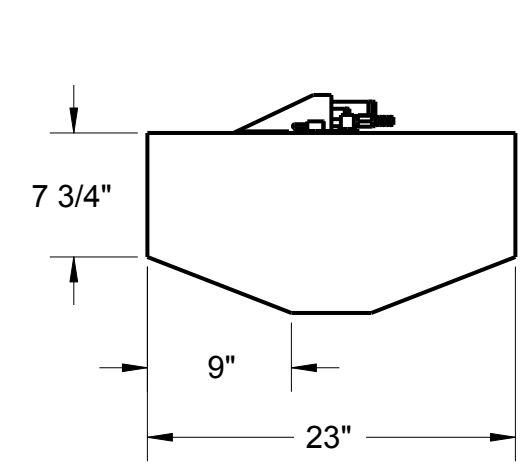
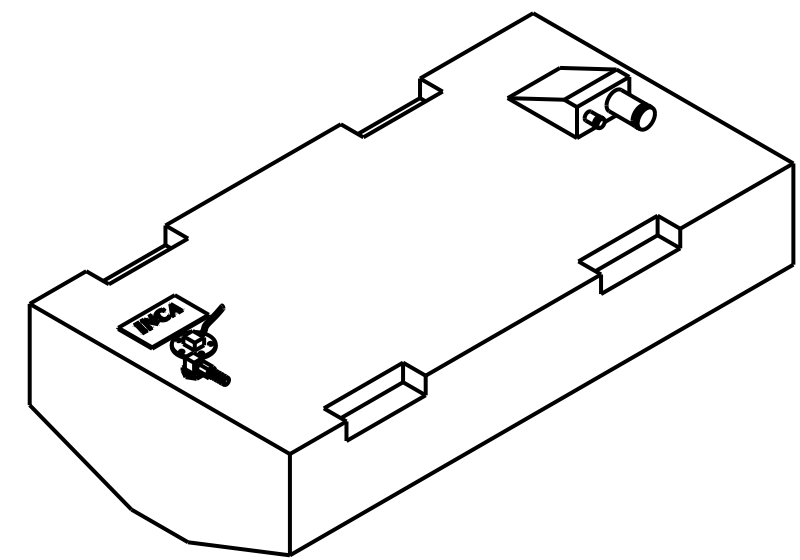
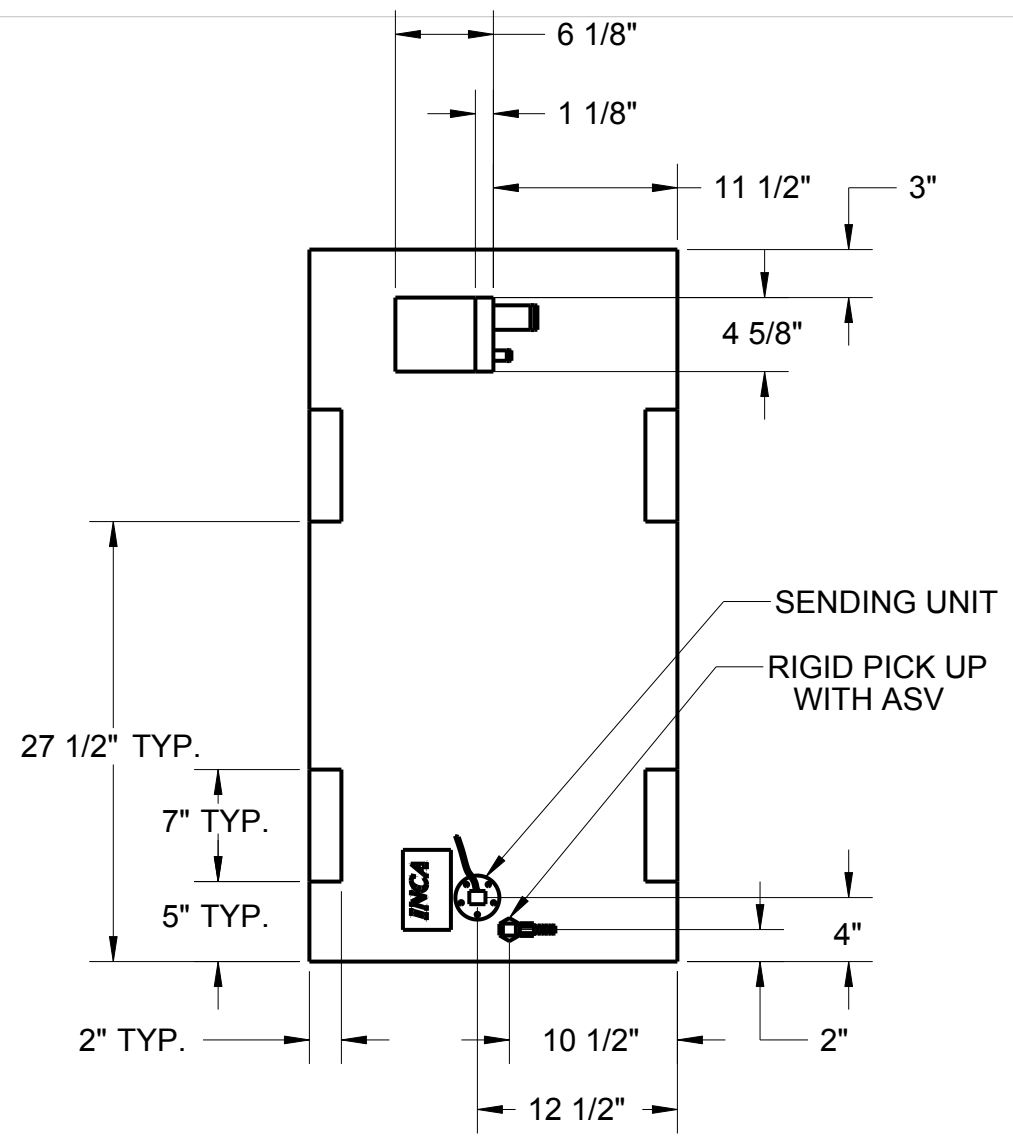




REV.	DATE	REVISIONS DESCRIPTION	REV. BY:



NOTE: PLASTIC FUEL TANKS MUST HAVE SPACE IN TANK COMPARTMENT TO EXPAND 2% FREELY IN ALL DIRECTIONS (LENGTH, WIDTH AND HEIGHT).

- UNLESS NOTED OTHERWISE:
- 1) All dimensions in inches
  - 2) All corner radii to be 3/8"

**MAT'L:** Polyethylene, Crosslink, Natural  
**WALL THICKNESS:** .225" in. (nominal)

 <b>MOLDED PRODUCTS, INC.</b> <small>INCA MOLDED PRODUCTS, INC.          6400 LOUISIANA AVENUE          NASHVILLE, TN 37209 USA          (615) 350-7290</small>	<b>FUEL TANK, 40 GAL.</b>		SHEET	1 of 1	
			REV. DATE:		
	CHECKED BY:				
	DRAWN BY:	6/5/06	BR		
<small>Copyright by Inca Molded Products, Inc.          Nashville, TN 37209 USA</small>		 SCALE:	REVISION: <b>A</b>	<b>FO4088</b>	