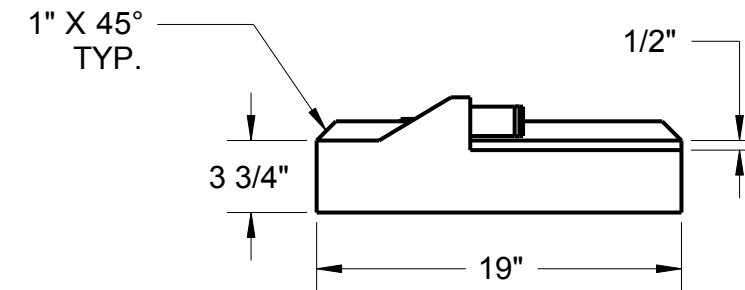
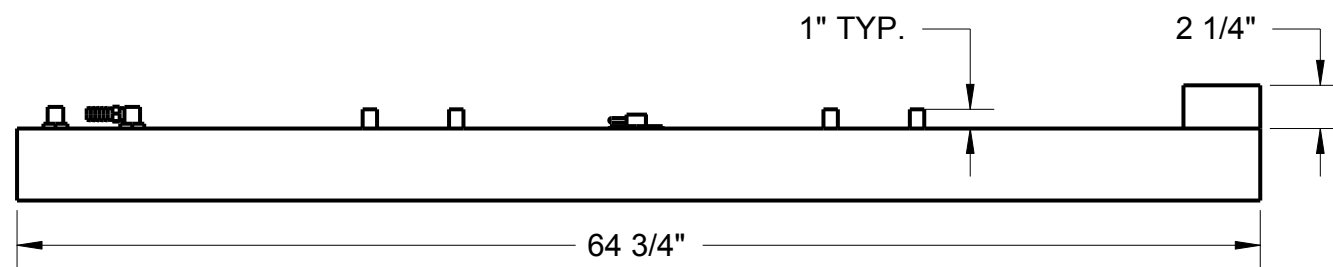
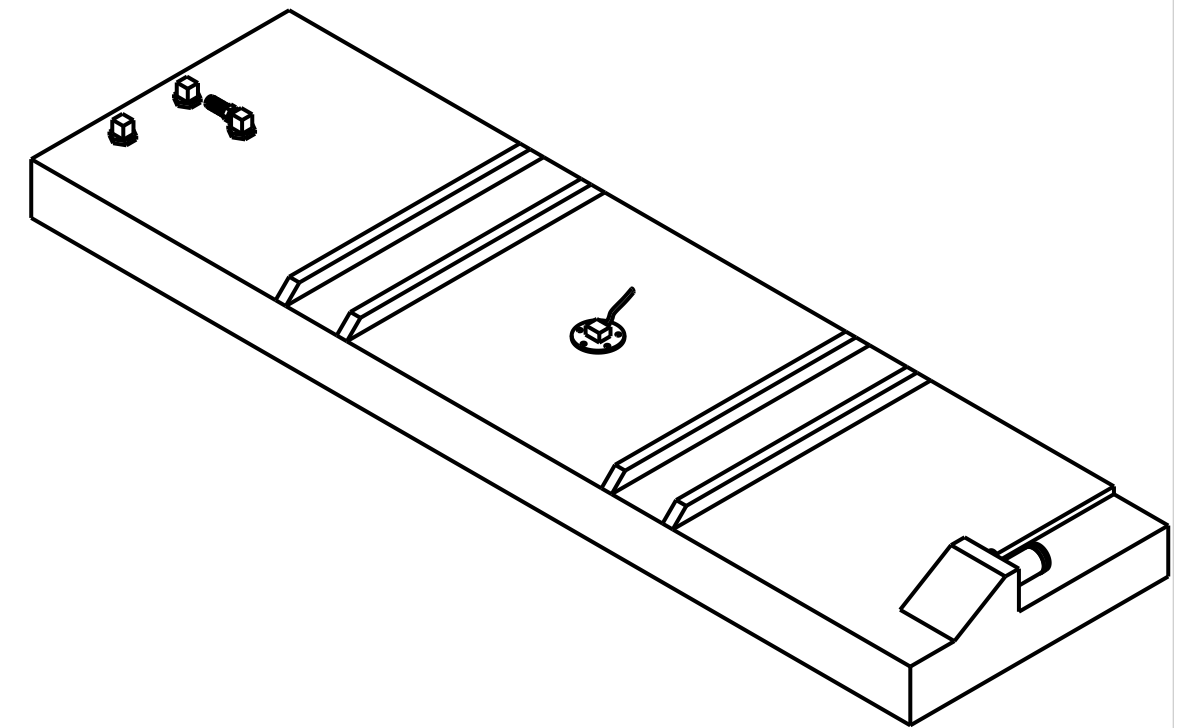
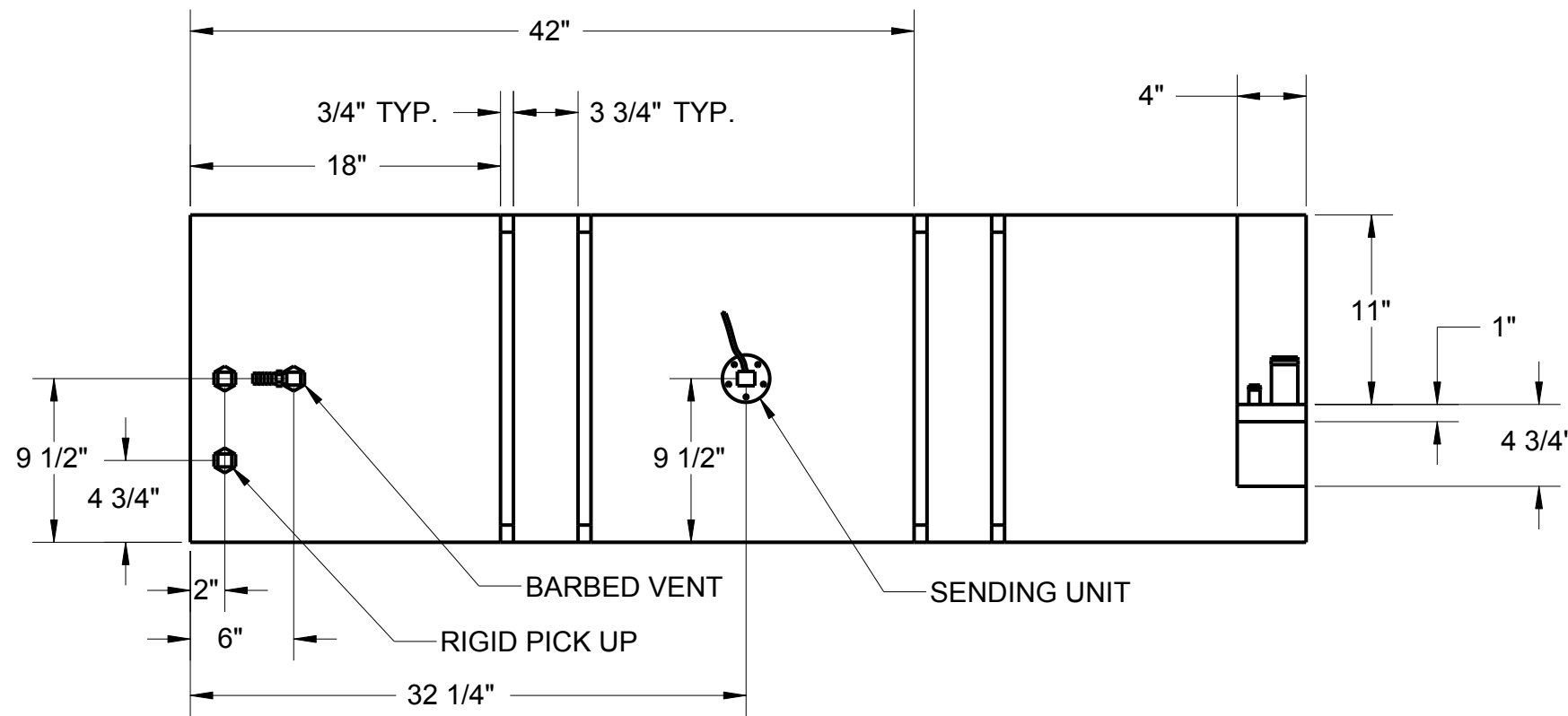


| REV. | DATE | REVISIONS DESCRIPTION | REV. BY: |
|------|------|-----------------------|----------|
| | | | |



NOTE: PLASTIC FUEL TANKS MUST HAVE SPACE IN TANK COMPARTMENT TO EXPAND 2% FREELY IN ALL DIRECTIONS (LENGTH, WIDTH AND HEIGHT).

UNLESS NOTED OTHERWISE:
 1) All dimensions in inches
 2) All corner radii to be 3/8"

MAT'L: Polyethylene, Crosslink, Natural
WALL THICKNESS: .210 in. (nominal)

INCA
 MOLDED PRODUCTS, INC.

INCA MOLDED PRODUCTS, INC.
 6400 LOUISIANA AVENUE
 NASHVILLE, TN 37209 USA
 (615) 350-7290

FUEL TANK, 21 GAL.

| | | |
|-------------|---------|----|
| SHEET | 1 of 1 | |
| REV. DATE: | | |
| CHECKED BY: | | |
| DRAWN BY: | 6/21/06 | BR |

Copyright by Inca Molded Products, Inc.
 Nashville, TN 37209 USA



SCALE: REVISION:
 A

FO2180