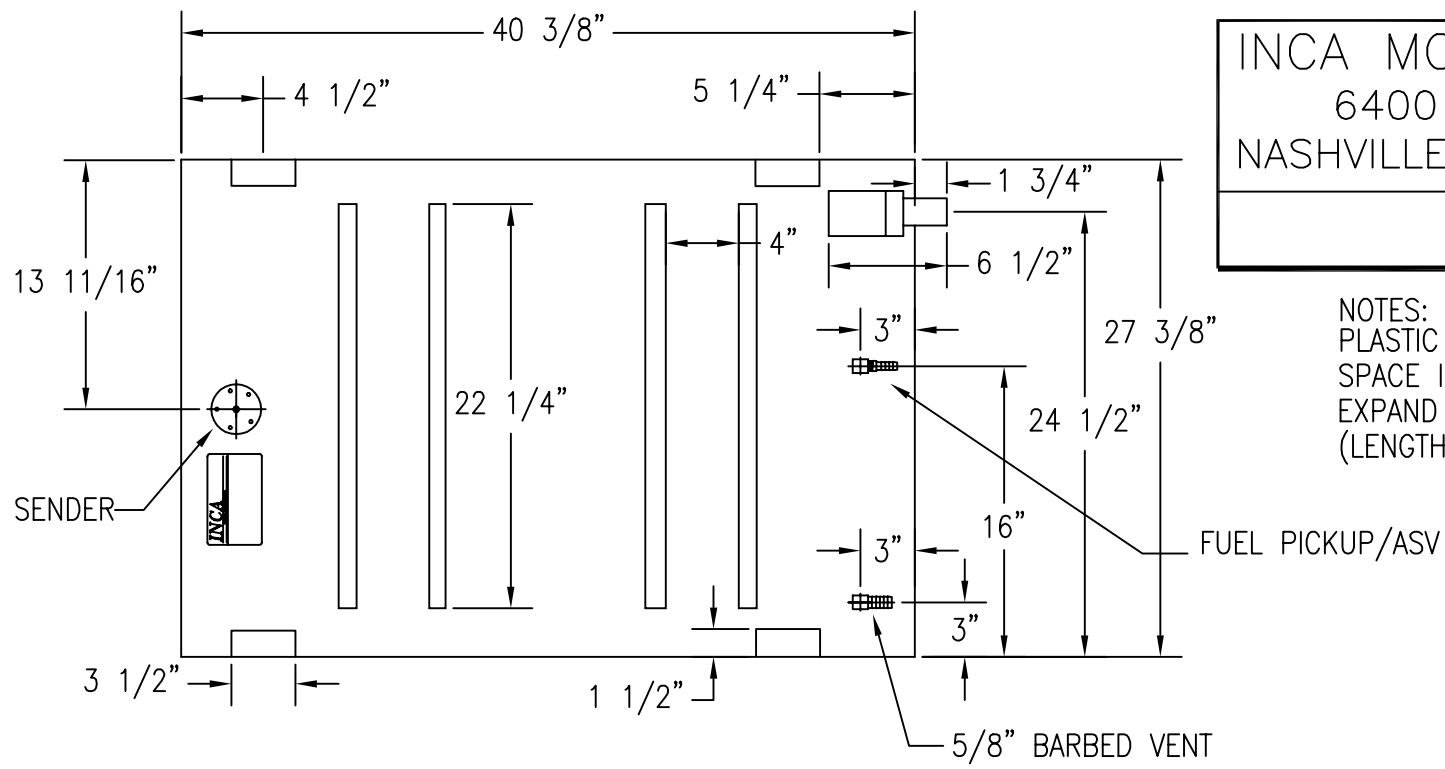


INCA MOLDED PRODUCTS
 6400 LOUISIANA AVE.
 NASHVILLE, TENNESSEE 37209
 F02544



NOTES:
 PLASTIC FUEL TANKS MUST HAVE
 SPACE IN TANK COMPARTMENT TO
 EXPAND 2% IN ALL DIRECTIONS.
 (LENGTH, WIDTH, HEIGHT)