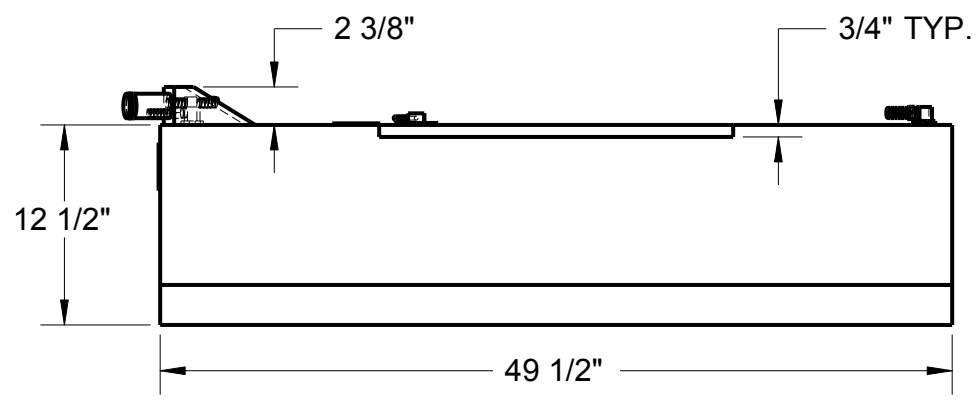
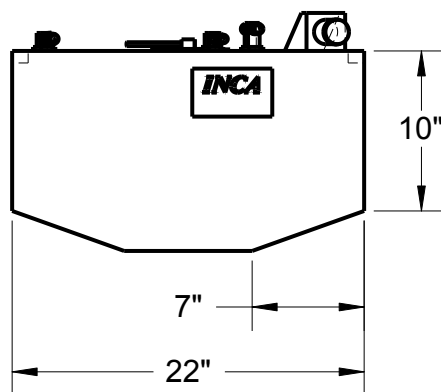
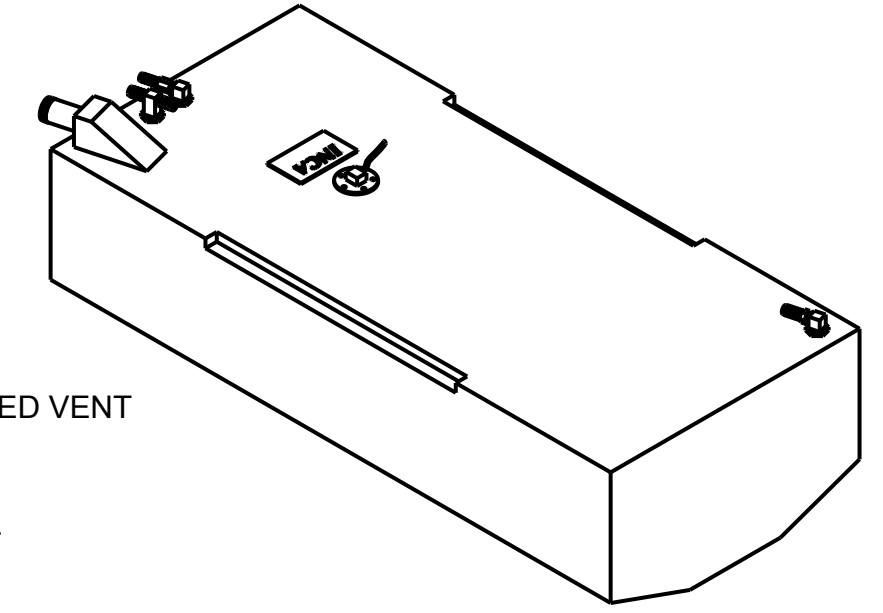
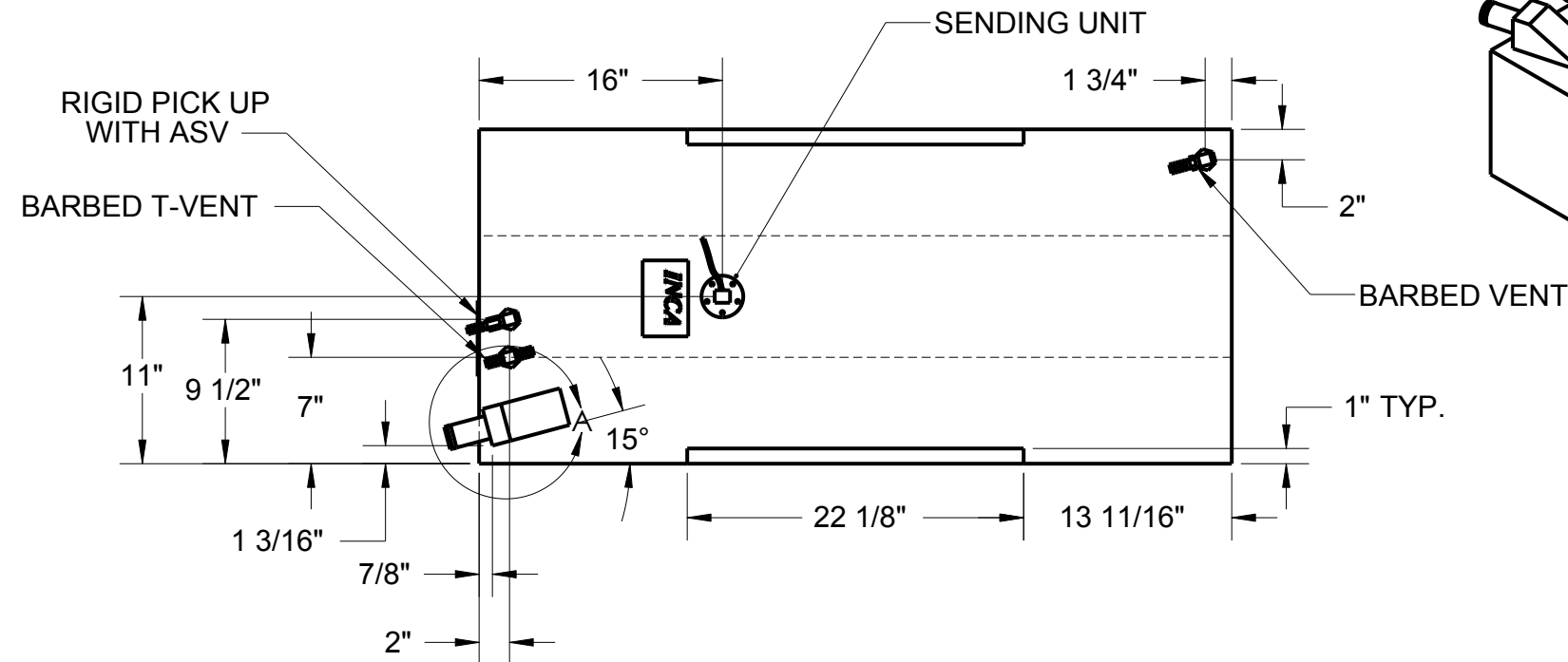
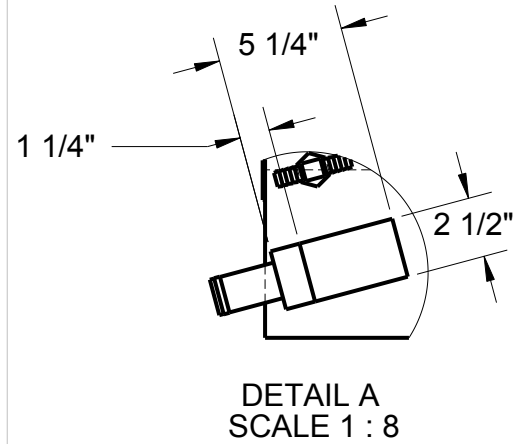


REV.	DATE	REVISIONS DESCRIPTION	REV. BY:



NOTE: PLASTIC FUEL TANKS MUST HAVE SPACE IN TANK COMPARTMENT TO EXPAND 2% FREELY IN ALL DIRECTIONS (LENGTH, WIDTH AND HEIGHT).

UNLESS NOTED OTHERWISE:  
1) All dimensions in inches  
2) All corner radii to be 3/8"

**MAT'L:** Polyethylene, Crosslink, Natural  
**WALL THICKNESS:** .250 in. (nominal)

 <b>MOLDED PRODUCTS, INC.</b> <small>INCA MOLDED PRODUCTS, INC. 6400 LOUISIANA AVENUE NASHVILLE, TN 37209 USA (615) 350-7290</small>	<b>FUEL TANK, 51 GAL.</b>		SHEET	1 of 1	
			REV. DATE:		
	CHECKED BY:				
	DRAWN BY:	7/5/06	BR		
<small>Copyright by Inca Molded Products, Inc. Nashville, TN 37209 USA</small>			SCALE:	REVISION: <b>A</b>	<b>FO5104</b>