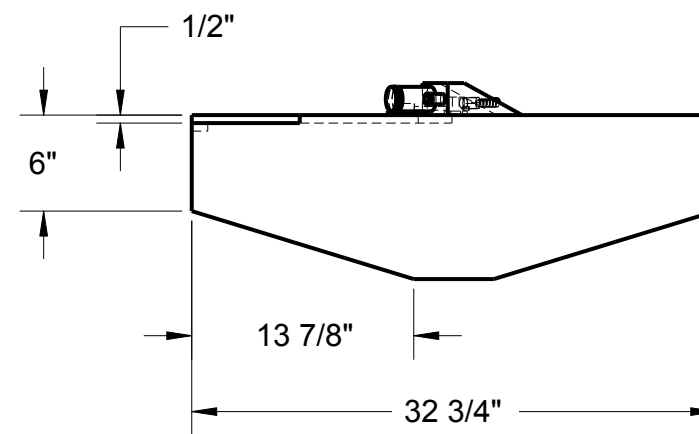
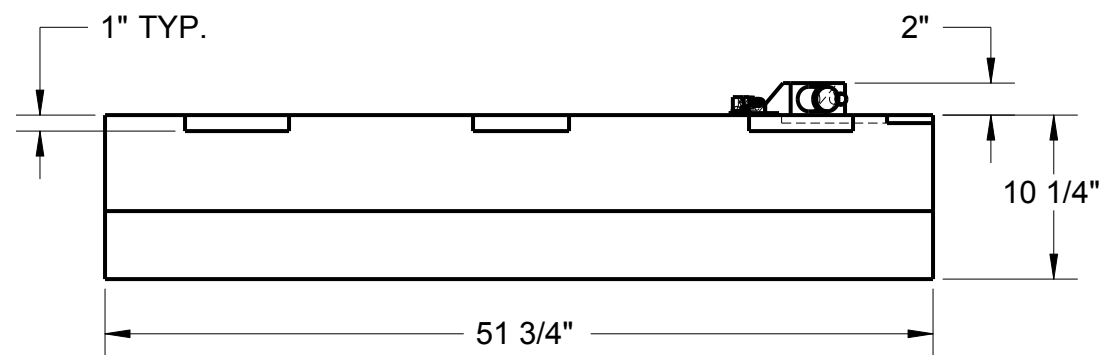
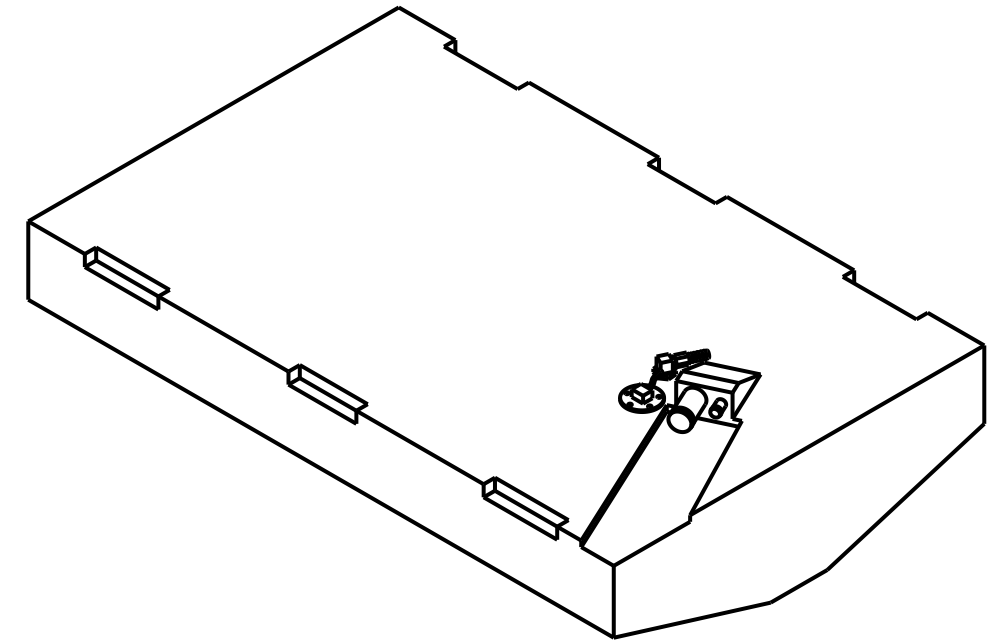
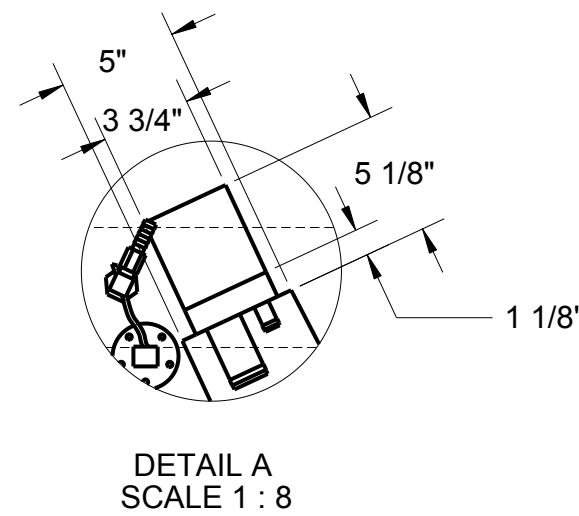
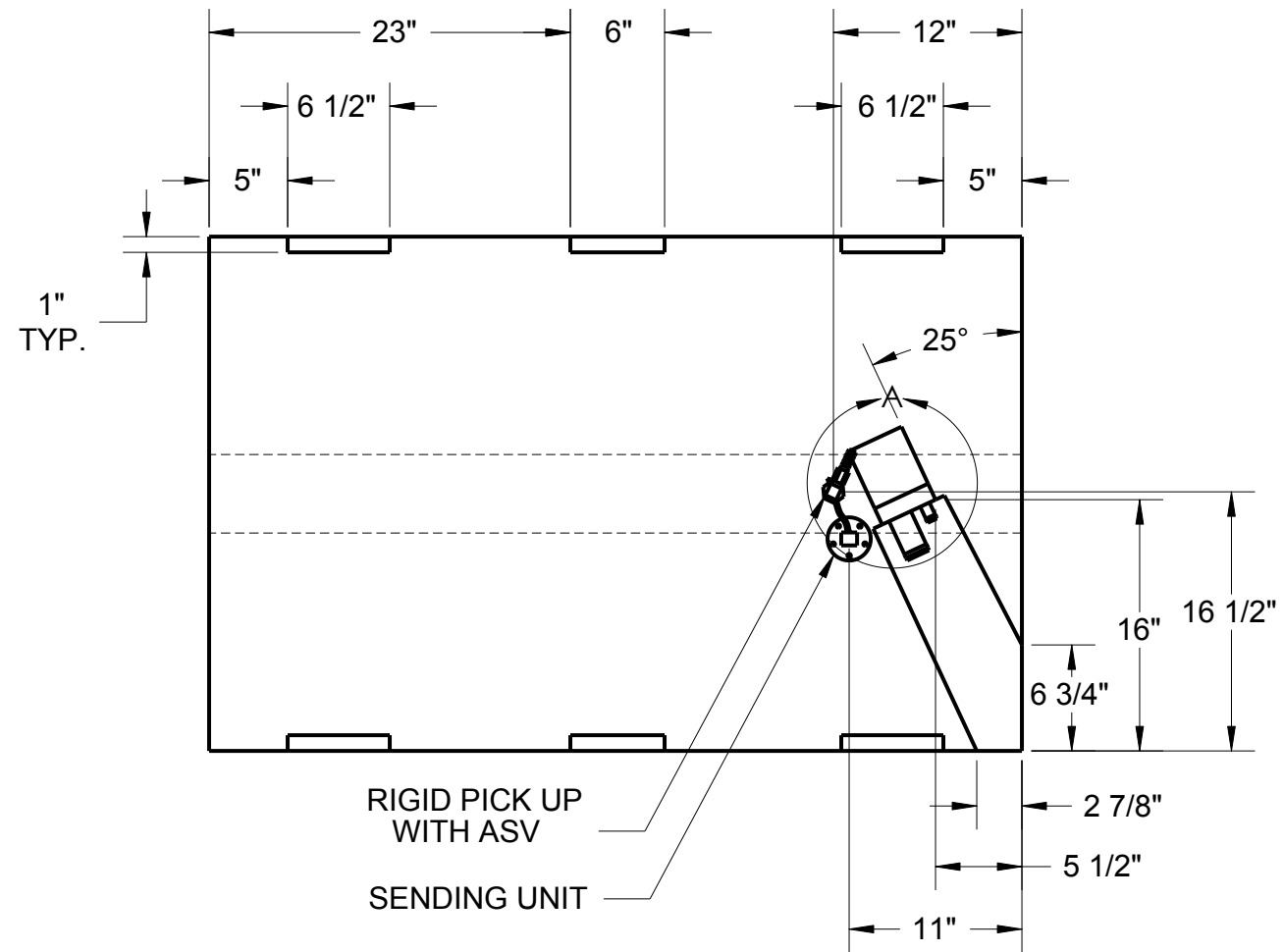


REV.	DATE	REVISIONS DESCRIPTION	REV. BY:



NOTE: PLASTIC FUEL TANKS MUST HAVE SPACE IN TANK COMPARTMENT TO EXPAND 2% FREELY IN ALL DIRECTIONS (LENGTH, WIDTH AND HEIGHT).

UNLESS NOTED OTHERWISE:  
1) All dimensions in inches  
2) All corner radii to be 3/8"

**MAT'L:** Polyethylene, Crosslink, Natural  
**WALL THICKNESS:** .250 in. (nominal)

**INCA**  
MOLDED PRODUCTS, INC.

INCA MOLDED PRODUCTS, INC.  
6400 LOUISIANA AVENUE  
NASHVILLE, TN 37209 USA  
(615) 350-7290

FUEL TANK, 58 GAL.

SHEET	1 of 1
REV. DATE:	
CHECKED BY:	
DRAWN BY:	6/21/06 BR

Copyright by Inca Molded Products, Inc.  
Nashville, TN 37209 USA



SCALE:    REVISION:  
                  A

**FO5804**