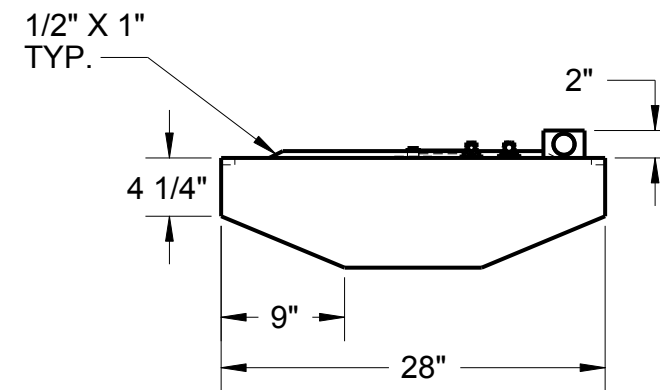
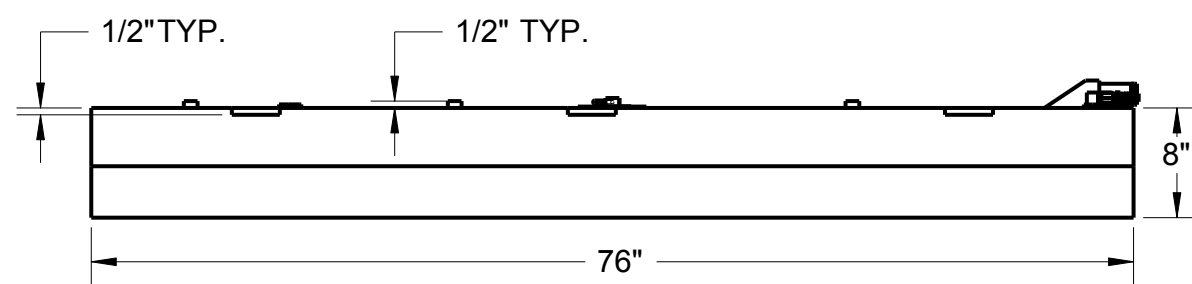
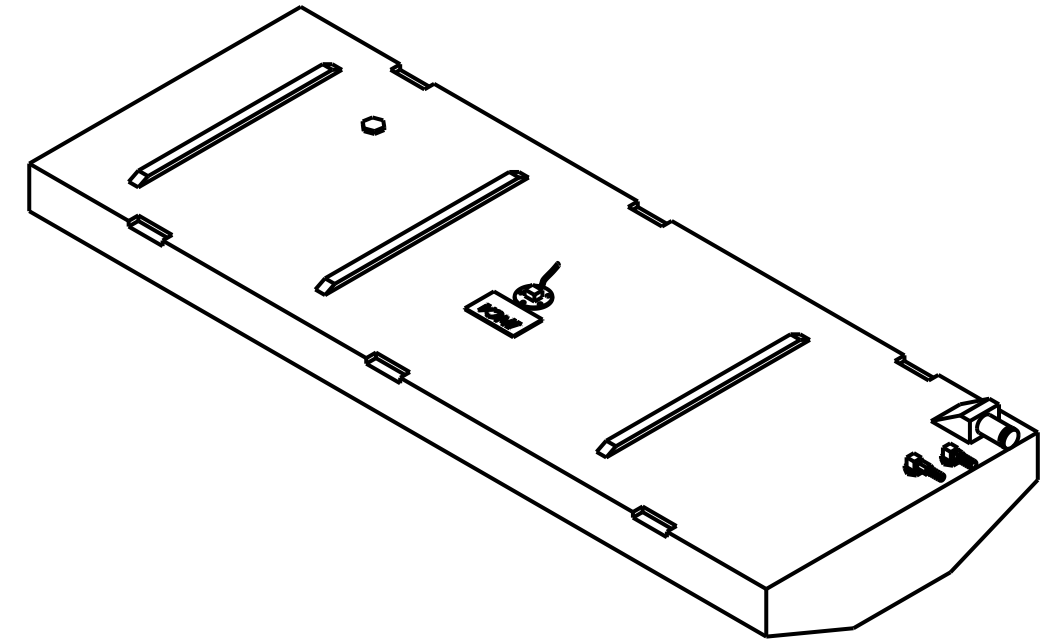
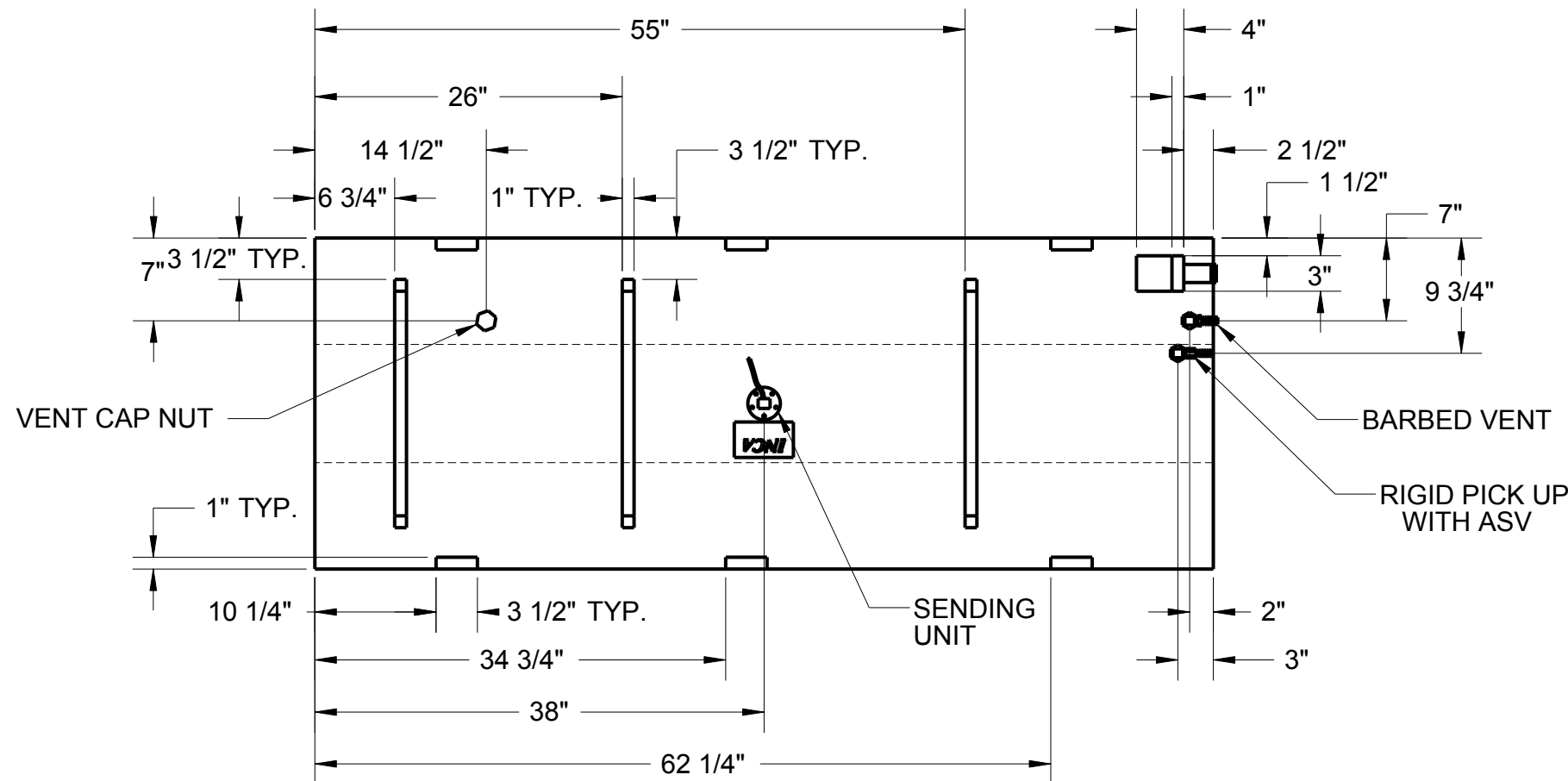


REV.	DATE	REVISIONS DESCRIPTION	REV. BY:



NOTE: PLASTIC FUEL TANKS MUST HAVE SPACE IN TANK COMPARTMENT TO EXPAND 2% FREELY IN ALL DIRECTIONS (LENGTH, WIDTH AND HEIGHT).

UNLESS NOTED OTHERWISE:  
 1) All dimensions in inches  
 2) All corner radii to be 3/8"

**MAT'L:** Polyethylene, Crosslink, Natural  
**WALL THICKNESS:** .250 in. (nominal)

<p><b>INCA</b>          MOLDED PRODUCTS, INC.  <small>INCA MOLDED PRODUCTS, INC.          6400 LOUISIANA AVENUE          NASHVILLE, TN 37209 USA          (615) 350-7290</small></p>	<p><b>FUEL TANK, 60 GAL.</b></p>		SHEET	1 of 1
			REV. DATE:	
	CHECKED BY:			
	DRAWN BY:	6/29/06	BR	
<p>Copyright by Inca Molded Products, Inc. Nashville, TN 37209 USA</p>		<p>SCALE:</p>	<p>REVISION:  <b>A</b></p>	<p><b>FO6026</b></p>